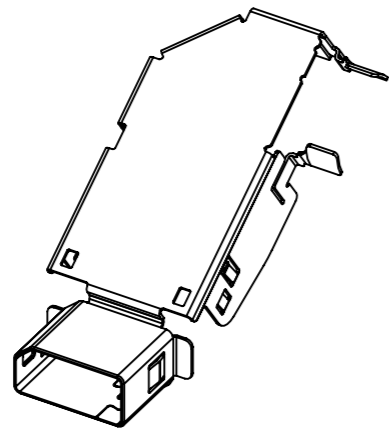


Applicable cable	
Items	Applicable condition
Conductor size	AWG 28-22
Insulation O.D.	Ø1.55mm max.
Braid Shield	Tin plating
Sheath O.D.	Ø5.5mm - Ø7.2mm

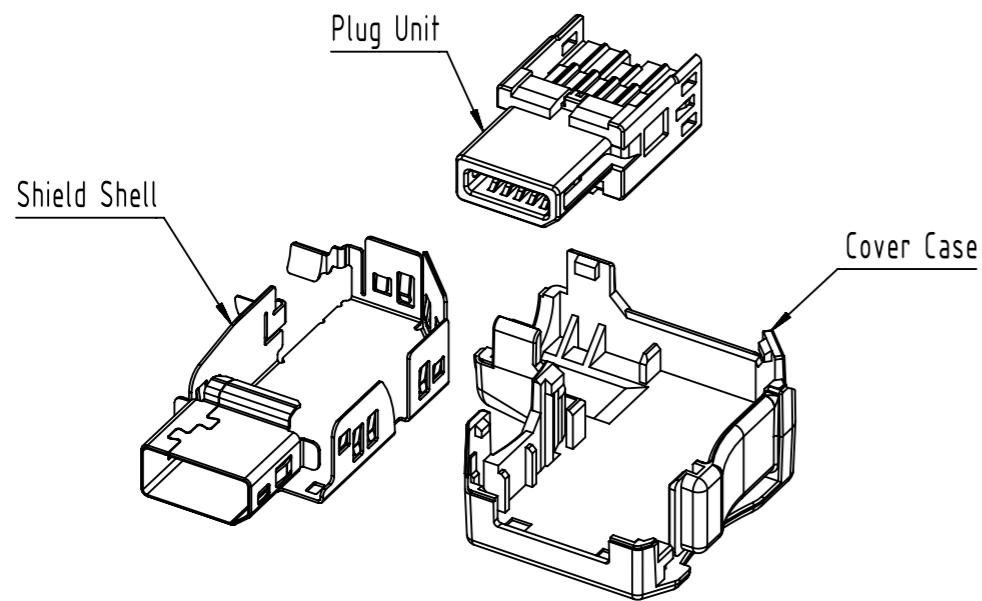
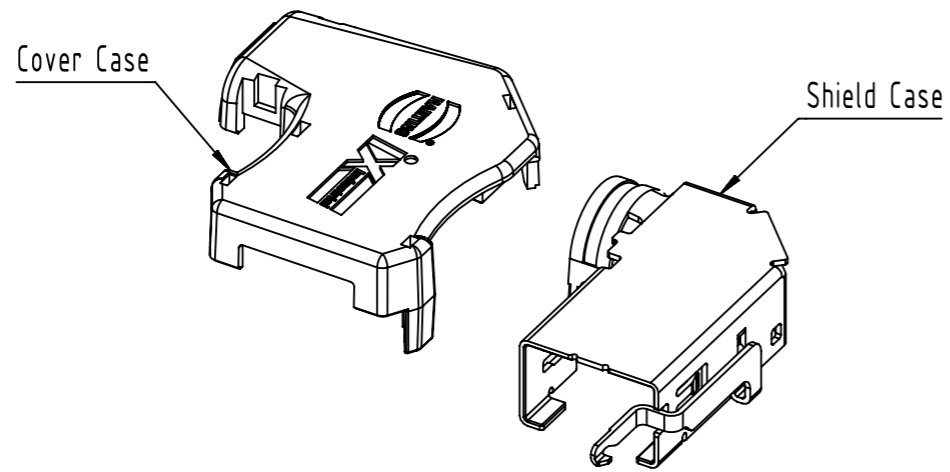
Contact material: copper alloy
 Contact area: Gold 0.2µm min.
 Wiring area: Gold 0.03µm min.
 Under plating: Nickel 2µm min.

	All Dimensions in mm Original Size DIN A3		Scale 2:1	Free size tol.		Ref. Sub.	
	All rights reserved Department EL PD		Created by 406403	Inspected by PREOTU	Standardisation ROEBEN	Date 2022-05-17	State Final Release
HARTING D-32339 Espelkamp		Title ix Industrial 10B-1 plug A1-S				Doc-Key / ECM-Nr. 100903665/UGD/000/B 500000216892	
		Type TB	Number 09451819020XL			Rev. B	Page 1/2

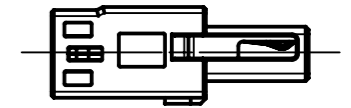
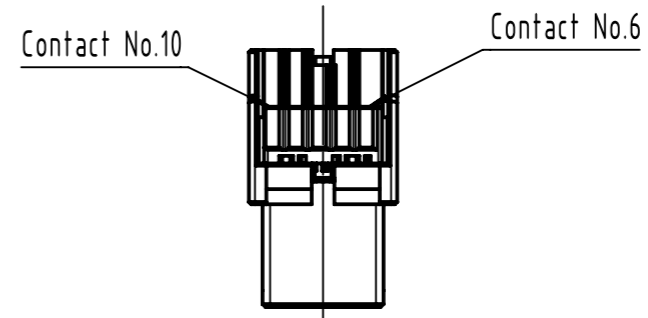
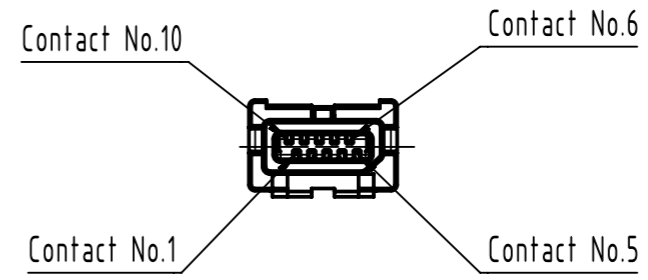
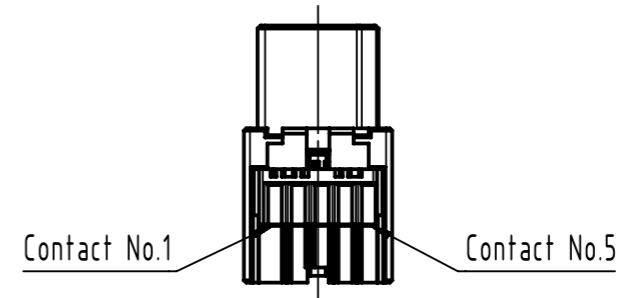
Shield Shell delivery form



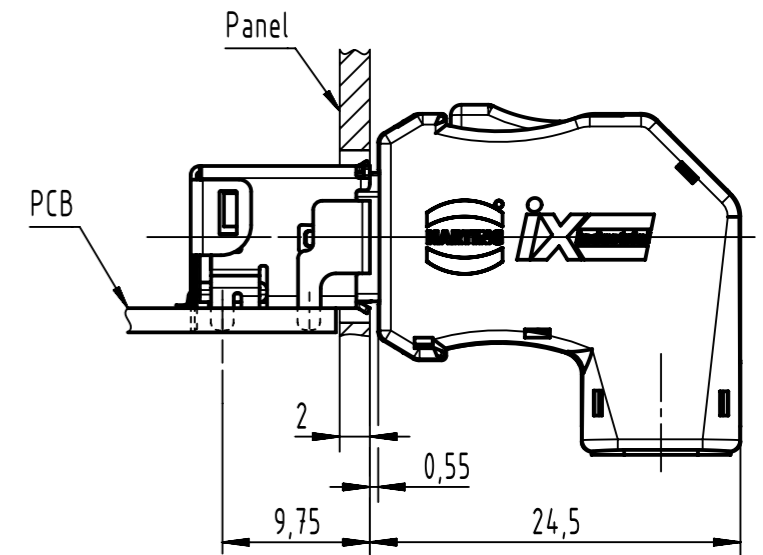
Product Structure



Plug Unit



Mating condition (2:1)



	All Dimensions in mm Original Size DIN A3	Scale 2:1	Free size tol.	Ref. Sub.
	All rights reserved Department EL PD	Created by 406403	Inspected by PREOTU	Standardisation ROEBEN
HARTING D-32339 Espelkamp	Title ix Industrial 10B-1 plug A1-S			Date 2022-05-17
			State Final Release	Doc-Key / ECM-Nr. 100903665/UGD/000/B 500000216892
		Type TB	Number 09451819020XL	Rev. B Page 2/2